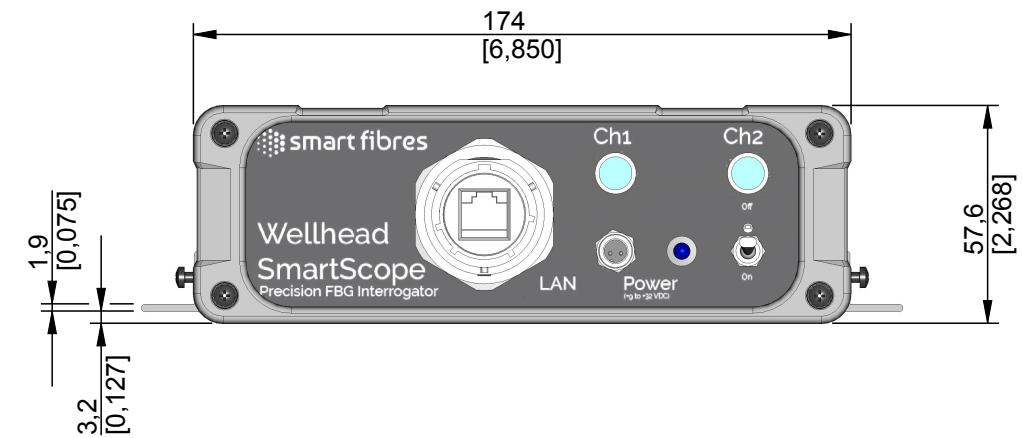
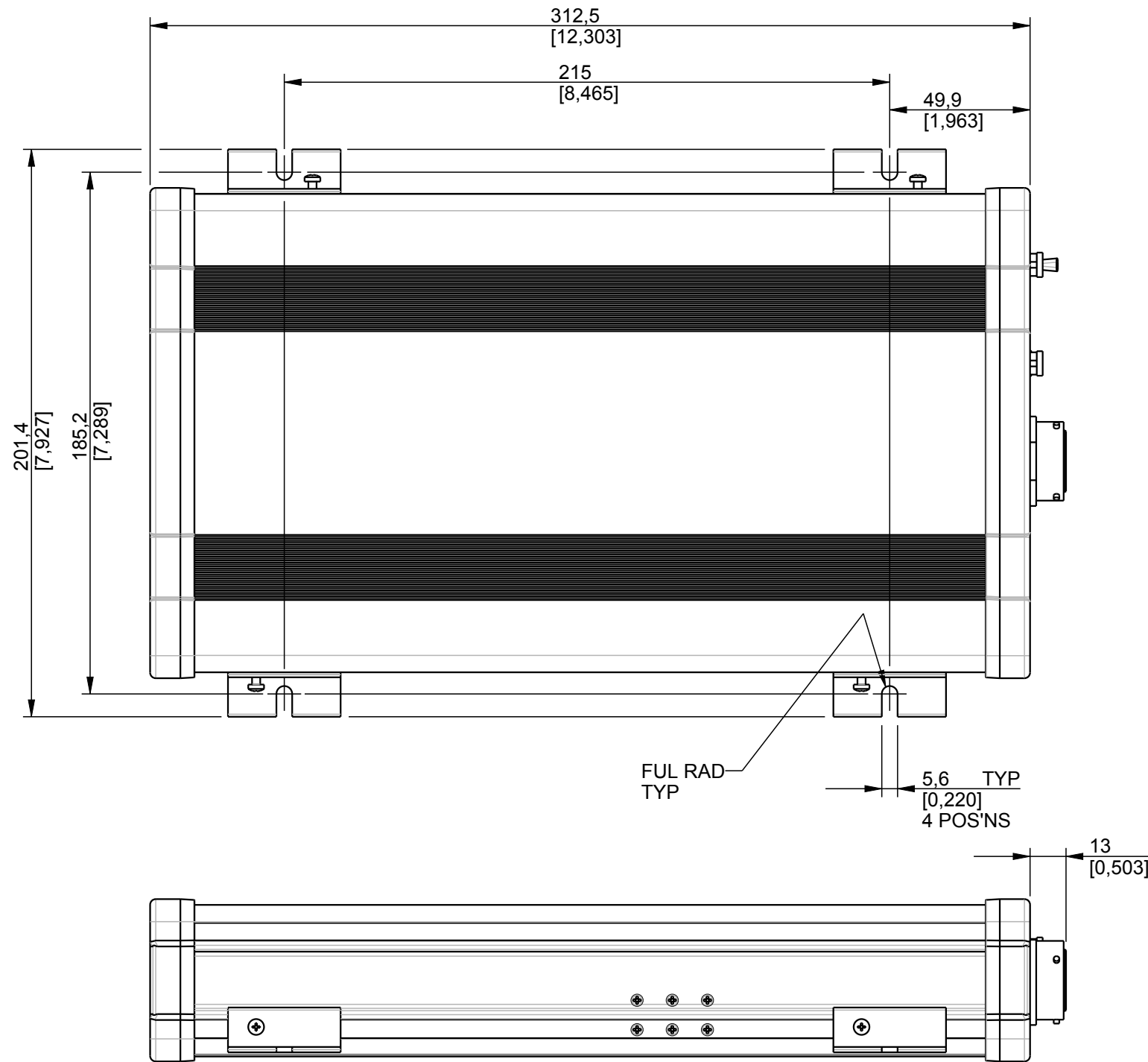


S-ScopeWH / Var

ALL DIMENSION IN mm REMOVE ALL BURRS AND SHARP EDGES UNLESS OTHERWISE STATED DRAWN TO BS8888 IF IN DOUBT ASK



- NOTES:
 1. ALL DIMENSIONS ARE NOMINAL
 2. DIMENSIONS IN [] ARE IN INCHES
 3. WEIGHT 2.2kg [4.9lb]

					MATERIAL:									
A	CJK	MK	JG	FIRST ISSUE	20-Feb-19	TOLERANCES: X mm±0.5 X.X mm±0.25 X.XX mm±0.1		HOLE DIA TOLS UP TO 5 +0.10 -0.00 5 TO 20 +0.20 -0.00 ABOVE 20 +0.25 -0.00		USED ON: SCALE: 1:2 FINISH:		DESCRIPTION: Wellhead SmartScope 02-40		SIZE: A3
ISSUE	DRWN	CHK	APPD	MODIFICATION	DATE	UNLESS OTHERWISE STATED		UNLESS OTHERWISE STATED		DRG No: S-ScopeWH / Var		ISSUE A	SHT: 1 OF 1	
ALL RIGHTS, TITLE AND INTEREST IN THIS DOCUMENT ARE AND SHALL REMAIN VESTED IN SMART FIBRES LTD AND THIS DOCUMENT IS NOT TO BE USED, COPIED, COMMUNICATED OR DISCLOSED IN WHOLE OR IN PART TO ANY PERSON EXCEPT IN ACCORDANCE WITH AN AGREEMENT IN WRITING WITH SMART FIBRES LTD. CREO DRAWING FILENAME: S-SCOPEWH-VAR_ISS_A CREO MODEL FILENAME: 7077-2010_WELLHEAD_SMARTSCOPE												CLASSIFICATION: PUBLIC - Copy as required		