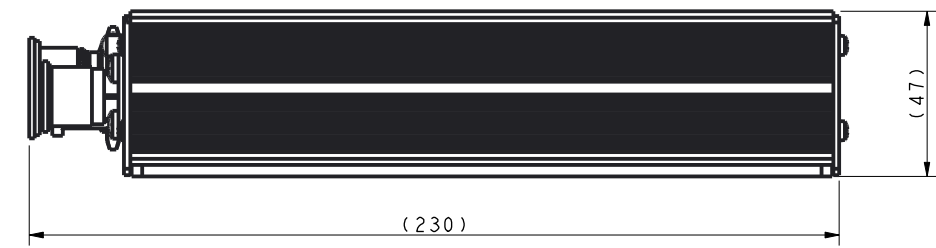
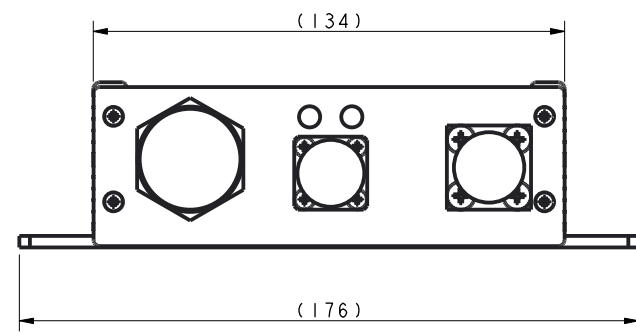
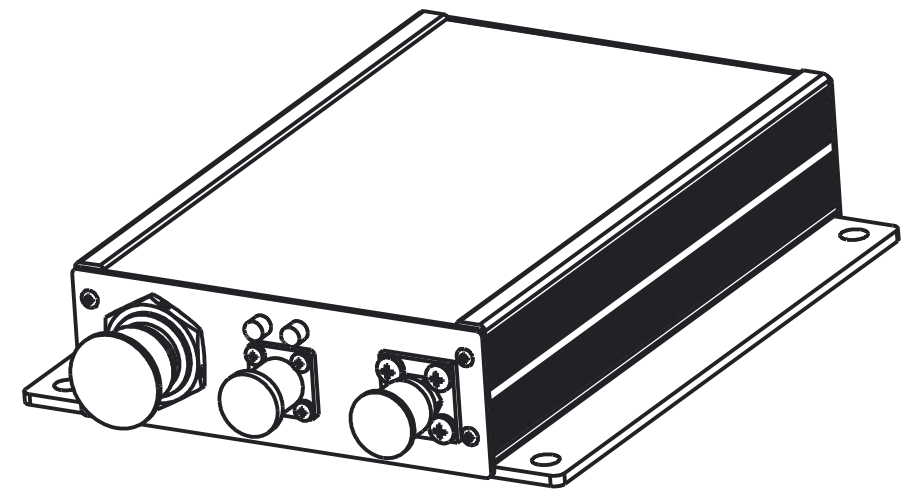
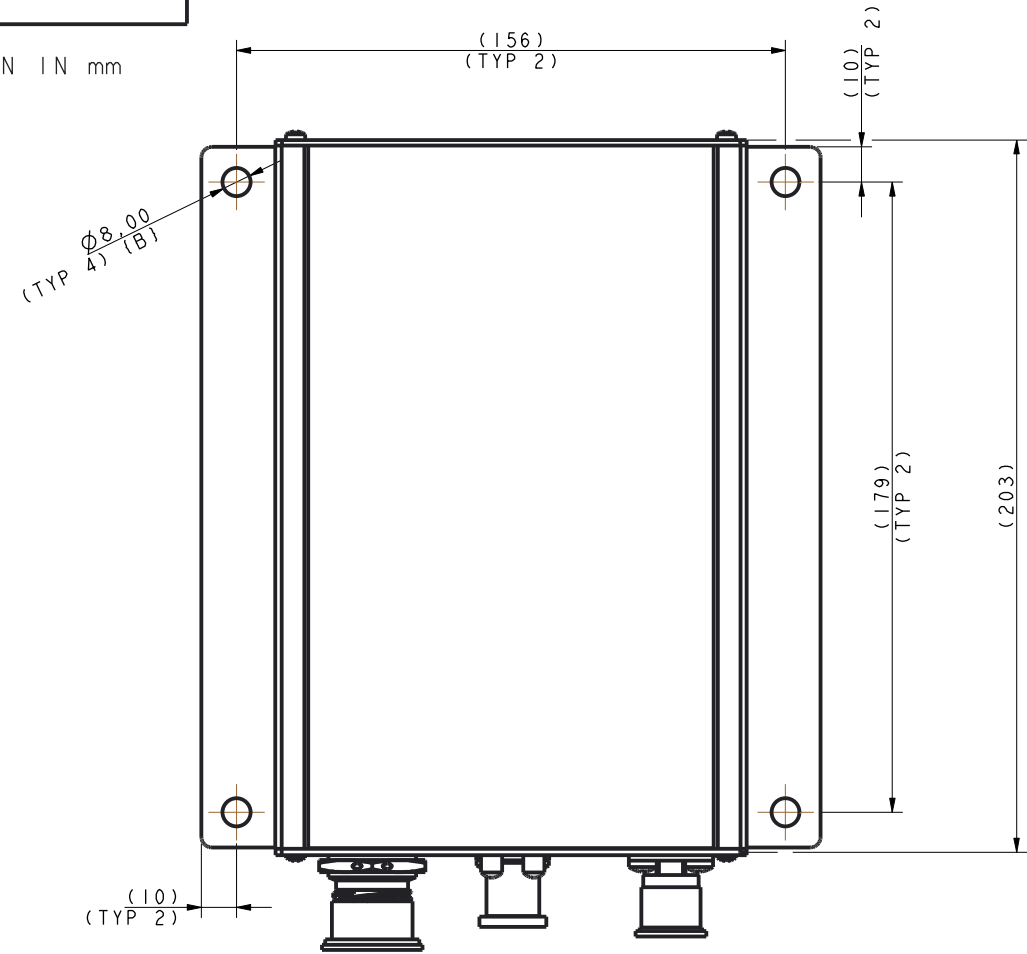


ALL DIMENSION IN mm



FOR VISUALISATION ONLY NOT FOR MANUFACTURING

B	GJ	ECS	KMJ	ADDED MOUNTING HOLE DIMENSIONS	Jan-09-17
A	ECS	GJ	KMJ	FIRST ISSUE	Jan-12-16
ISSUE	DRWN	CHK	APPD	MODIFICATION	DATE

ALL RIGHTS, TITLE AND INTEREST IN THIS DOCUMENT ARE AND SHALL REMAIN VESTED IN SMART FIBRES LTD AND THIS DOCUMENT IS NOT TO BE USED, COPIED, COMMUNICATED OR DISCLOSED IN WHOLE OR IN PART TO ANY PERSON EXCEPT IN ACCORDANCE WITH AN AGREEMENT IN WRITING WITH SMART FIBRES LTD.

MATERIAL: VARIOUS	
TOLERANCES: X mm±0.5 X.X mm±0.25 X.XX mm±0.1	
UNLESS OTHERWISE STATED	

USED ON: 7082
SCALE: 1:2
FINISH: CLEAN

DESCRIPTION: EGRET AERO MINI INTERROGATOR	
7082-2002	SIZE: A3