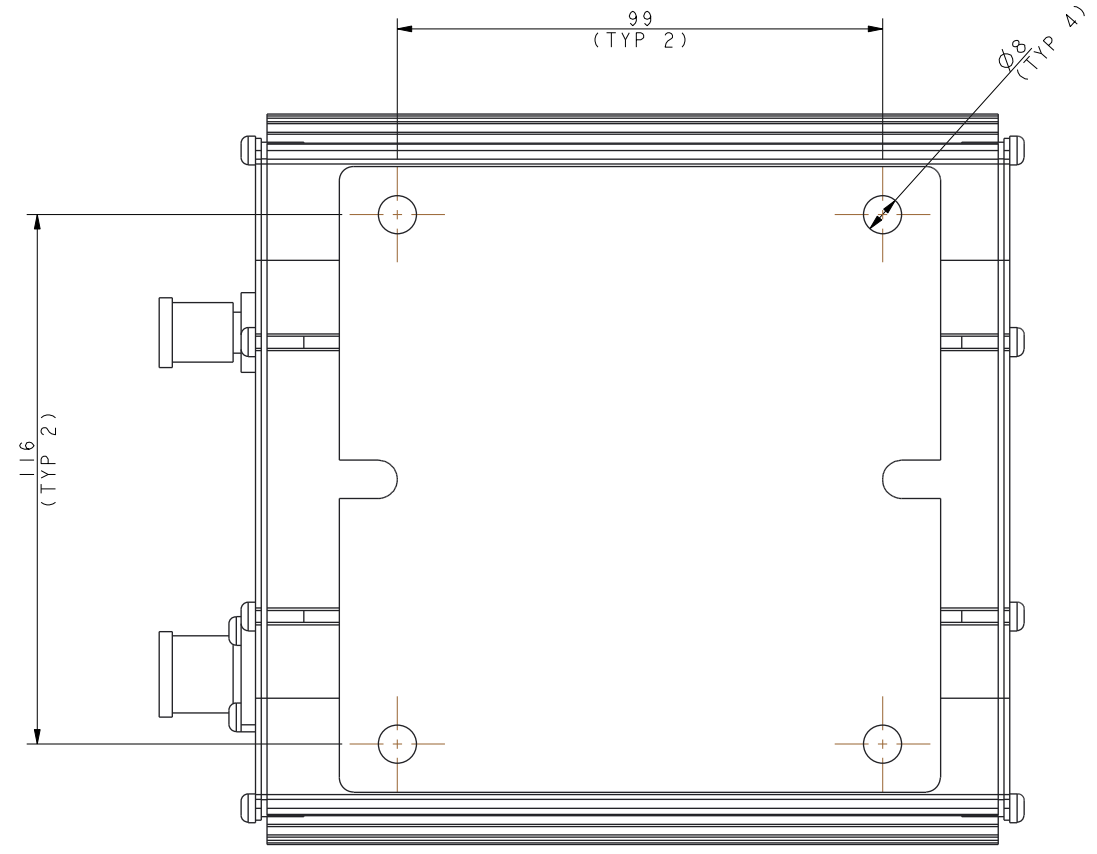
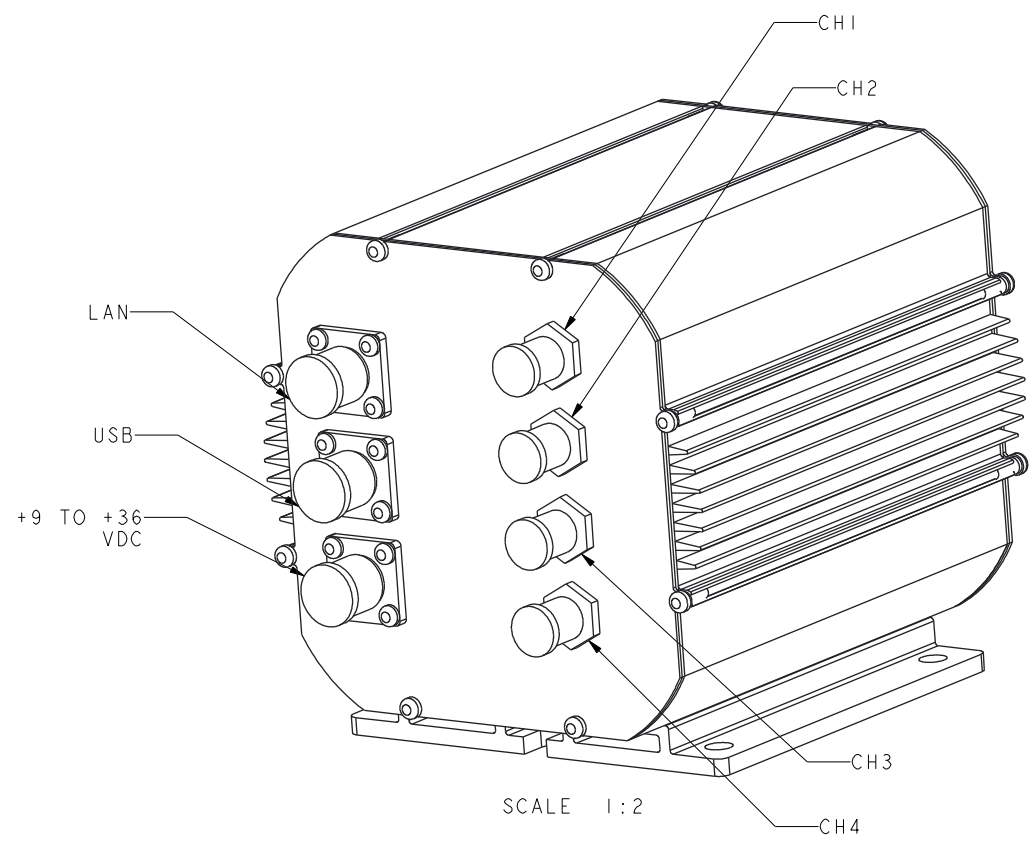
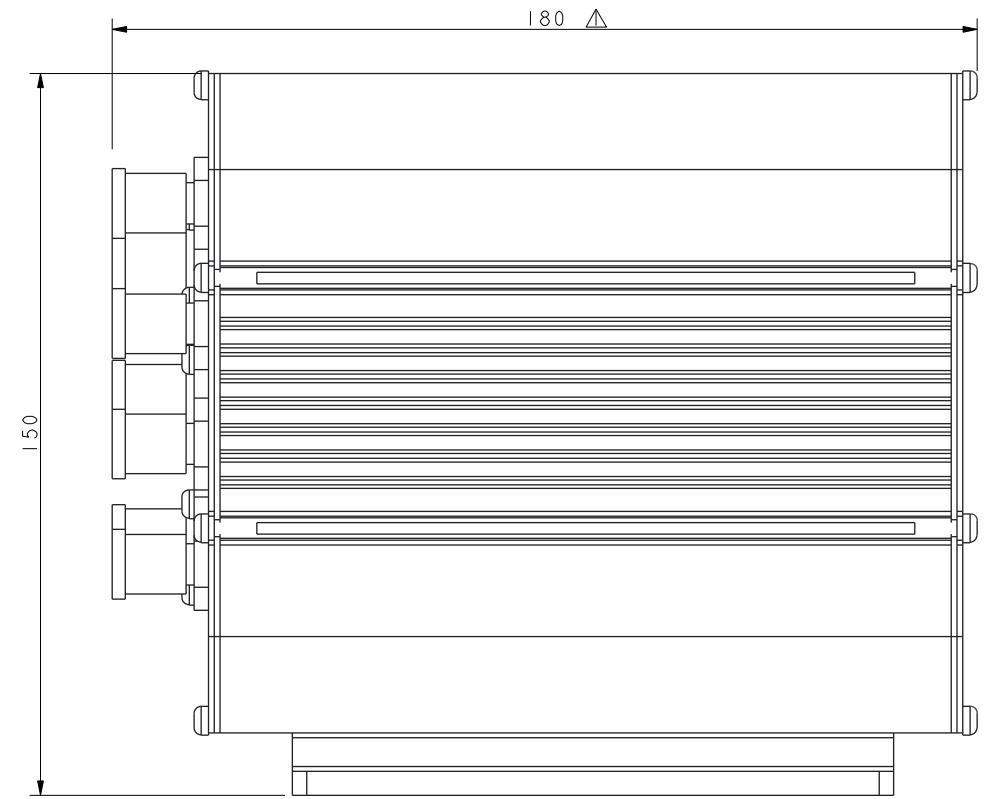
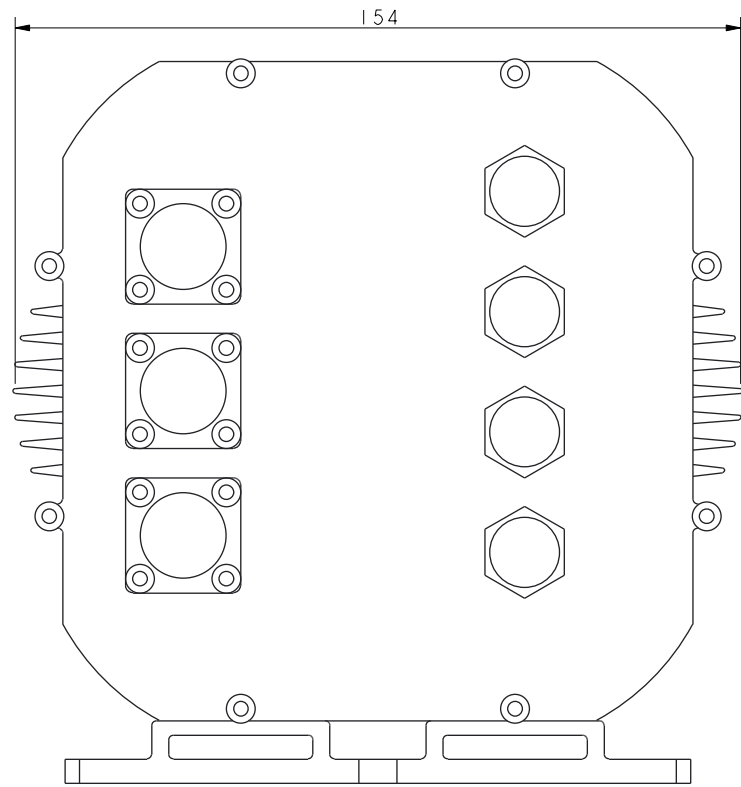


ALL DIMENSION IN mm



- NOTES:
- △ ALLOW FOR 100mm EXTRA LENGTH FOR MATED CONNECTORS AND FIBRE BEND RELIEF RADIUS.
 - UNIT SUPPLIED WITH 4 OFF 1/4" UNF BOLTS AND 4 OFF 1/4" UNF NUTS, FOR FIXING PURPOSES.
 - USB CONNECTOR LOCATION TO BE FINALISED.

A	OB	MP	KMJ	FIRST ISSUE	Dec-01-11
ISSUE	DRWN	CHK		MODIFICATION	DATE
ALL RIGHTS, TITLE AND INTEREST IN THIS DOCUMENT ARE AND SHALL REMAIN VESTED IN SMART FIBRES LTD AND THIS DOCUMENT IS NOT TO BE USED, COPIED COMMUNICATED OR DISCLOSED IN WHOLE OR IN PART TO ANY PERSON EXCEPT IN ACCORDANCE WITH AN AGREEMENT IN WRITING WITH SMART FIBRES LTD.					

MATERIAL:
N/A

TOLERANCES:
X mm±0.5
X.X mm±0.25
X.XX mm±0.1

UNLESS OTHERWISE STATED

USED ON:
7049

SCALE: 67:100

FINISH:
CLEAN

DESCRIPTION:
SMARTSCAN AERO ASSEMBLY

7049-2010

SIZE:
A3